

ENGR-4300
Spring 2007
Test 1B

Name _____

Section 2

Question I (20 points) _____

Question II (22 points) _____

Question III (20 points) _____

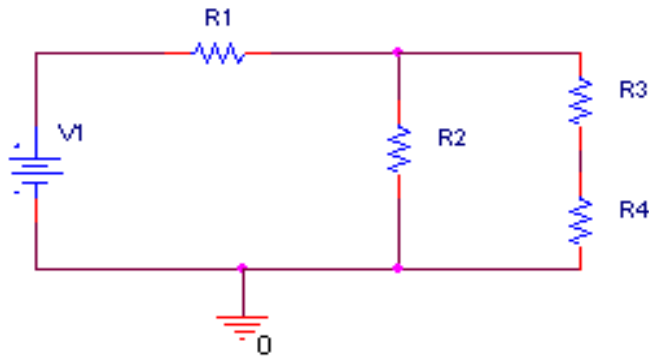
Question IV (20 points) _____

Question V (18 points) _____

Total (100 points) _____

On all questions: SHOW ALL WORK. BEGIN WITH FORMULAS, THEN SUBSTITUTE VALUES AND UNITS. No credit will be given for numbers that appear without justification.

Question I. Resistive circuits (20 points)



Given: $V_1 = 10\text{volts}$, $R_1 = 2000\Omega$, $R_2 = 1000\Omega$, $R_3 = 1200\Omega$, $R_4 = 1800\Omega$.

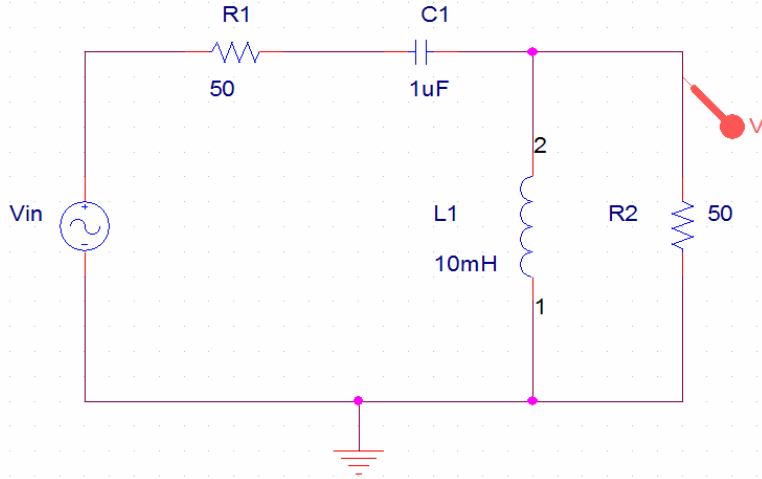
1) Find the total resistance of the circuit, seen from the voltage source. (6 pts)

2) Find the voltage across R_1 . (4 pts)

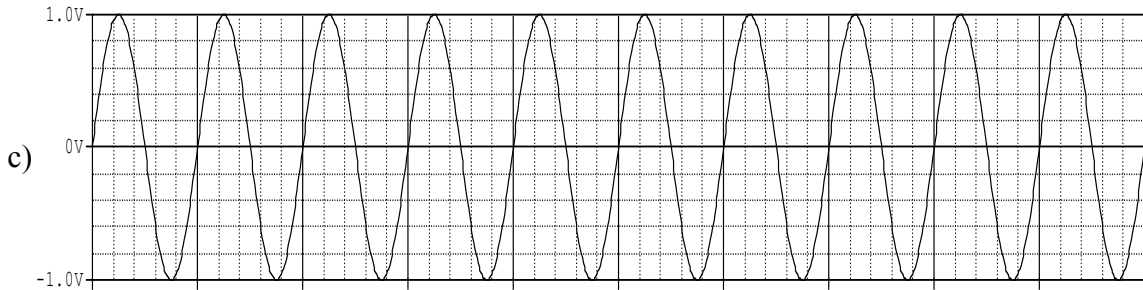
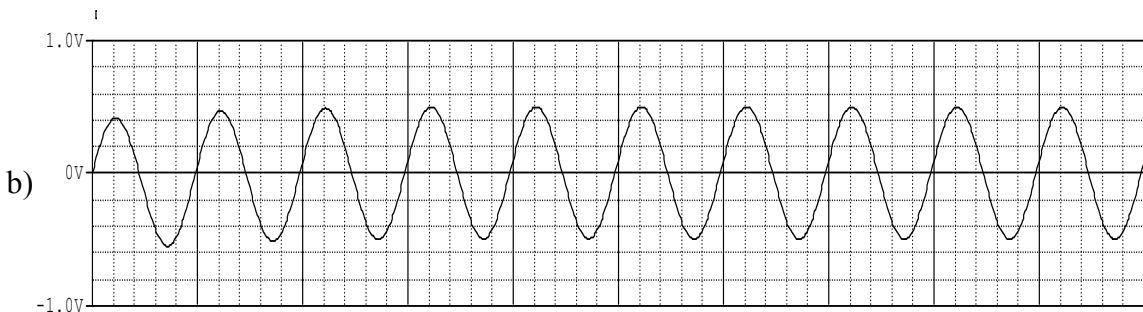
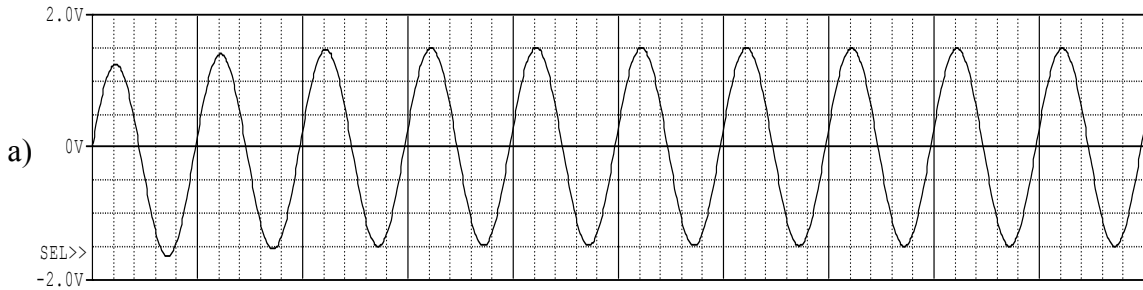
3) Find the current through R_3 . (4 pts)

4) All the resistors (R1, R2, R3 and R4) have a gold band at the end of the color bands. This implies a certain manufacturing tolerance level for the resistor. Based on this tolerance level, compute the minimum current that could flow in the circuit. (6 pts)

Question II – Filters (22 points)

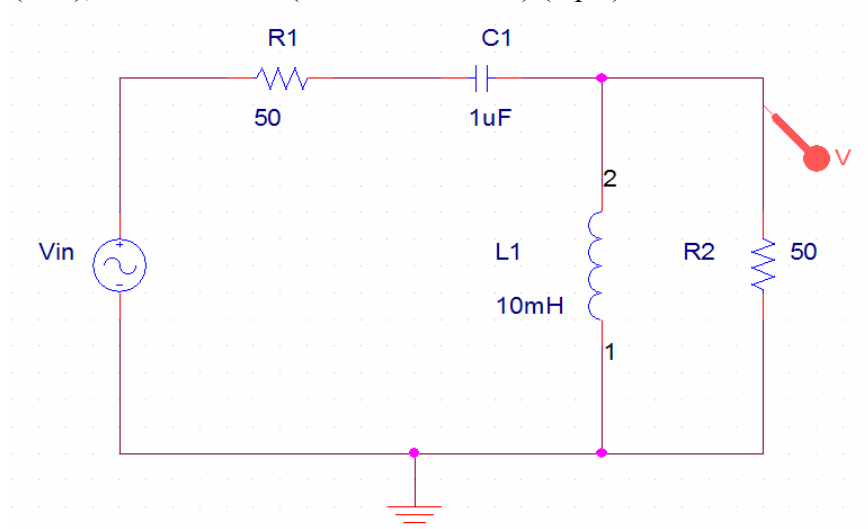


1) Given the circuit shown, which graph would best represent the output seen across resistor R2; where $V_{in} = 1V \cos(2\pi ft)$, with $f = 1kHz$? (4 pts)



Time

2) Given the circuit shown, which is the most likely voltage measured across resistor R2 if $V_{in} = 1V \cos(2\pi ft)$, with $f = 1\text{Hz}$? (Please circle one.) (4 pts)

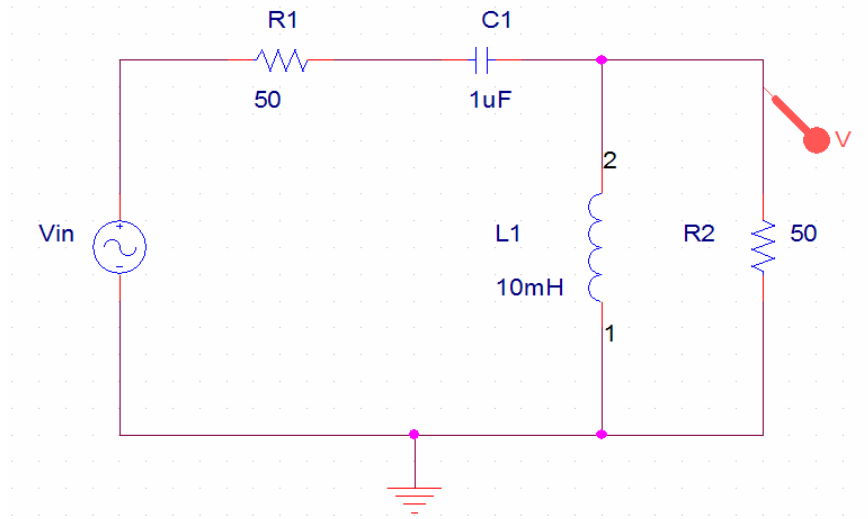


- a) 1V
- b) 0.5V
- c) 0V
- d) 2V

3) Given the circuit in 2), which is the most likely voltage measured across resistor R2 if $V_{in} = 1V \cos(2\pi ft)$, with $f = 100\text{kHz}$? (Please circle one.) (4 pts)

- a) 1v
- b) 0.5v
- c) 0v
- d) 2v

4) What kind of filter response would best represent this circuit? (Please circle one.) (4 pts)



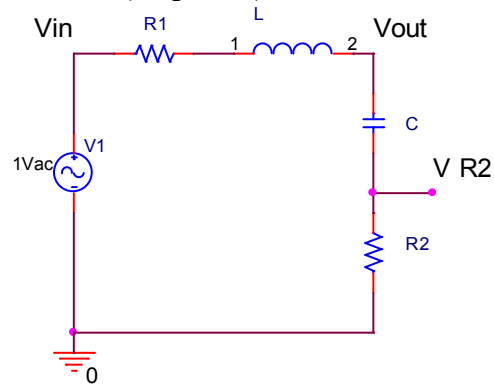
- a) Low Pass
- b) Band Pass
- c) High Pass
- d) Band Reject

5) What kind of response would result if the capacitor and inductor positions were swapped in the circuit? (Please circle one) (4 pts)

- a) Low Pass
- b) Band Pass
- c) High Pass
- d) Band Reject

6) What is the resonant frequency of the circuit in Hz? (2 pts)

Question III – Transfer Functions (20 points)



1) What is the transfer function (V_{out}/V_{in}) for the circuit in terms of R_1 , R_2 , L , & C ? You must simplify. (6 pts)

2) What is the simplified transfer function of the circuit at low frequencies? (3 pts)

3) What is the simplified transfer function of the circuit at high frequencies? (3 pts)

Resonance

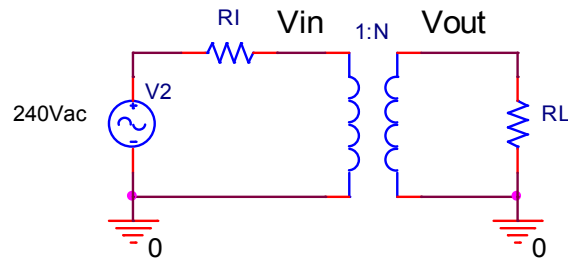
4) Find the frequency ω_0 (in terms of L & C) where the impedance of the inductor and capacitor (Z_L & Z_C) have the same magnitude (but opposite signs) and cancel each other. (2 pts)

5) How does the frequency in 4) compare to the circuit's resonant frequency? (2 pts)

6) What is the value of the transfer function $\frac{V_{R2}(j\omega_0)}{V_{in}(j\omega_0)}$ at this frequency ω_0 ? (2 pts)

7) For $V_{in}(t) = 2\sin(\omega_0 t + \pi/2)$ where ω_0 is the frequency found in 4), what is $V_{R2}(t)$? (2 pts)

Question IV – Signals, Transformers and Inductors (20 points)



1) Given the circuit above, assume an ideal transformer with full coupling. With $R_I = R_L = 100\Omega$ and $N=1$, find V_{in} , V_{out} , and the power in R_L . (6 pts)

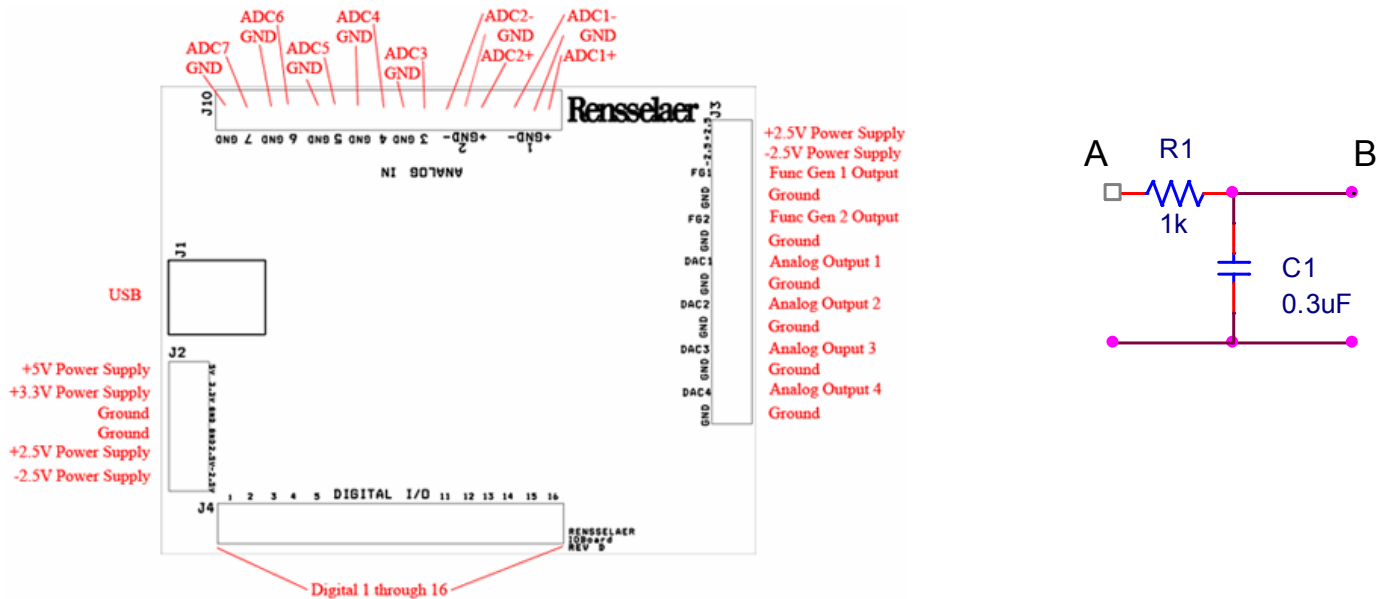
2) If R_L is changed to 25Ω (everything else remains as in 1), what are the new values for V_{in} , V_{out} , and the power in R_L ? (6 pts)

3) Find the value for N that allows the circuit in 2) to see the same load on the primary (source) side of the transformer as in 1). (4 pts)

4) Knowing that a real transformer's behavior deviates from that of an ideal, what would be an appropriate minimum value for the inductance on the primary of the transformer in 1), given the source's frequency of 60Hz? (4 pts)

- a) 0.003mH
- b) 0.3mH
- c) 30mH
- d) 3H

Question V – Instrumentation, PSpice and components (18 points)



You are asked to generate a $0.8V_{p-p}$ 50Hz triangle wave on function generator 1 and display its waveform on channel 2 of the oscilloscope. The signal is to be fed into the RC low pass filter shown above (A) and the output of the filter (B) displayed on channel 1 of the oscilloscope.

1) Draw **all** the lines on the above figure to represent the wires needed to see the desired waveforms. (4 pts)

2) To what value should the function generator's amplitude be set for this? (2 pts)

3) It is desired to see 5 cycles of the triangle waveform across the full oscilloscope screen (10 divisions). To what time scale, in sec/div should the scopes sweep rate be set in order to see this? (2 pts)

4) To simulate the scope's screen above in PSpice, what type of analysis is would be done on the schematic? Circle one of the following: (2 pts)

Time Domain (Transient) DC Sweep AC Sweep Bias Point

5) If the input to the circuit is changed to a sine wave, what type of analysis would be useful for determining when the output amplitude drops to half that of the input amplitude? Circle one of the following: (2 pts)

Time Domain (Transient) DC Sweep AC Sweep Bias Point

6) Two $\frac{1}{8}$ W $1\text{k}\Omega$ resistors are in parallel. What is the maximum voltage that can be applied across the pair without exceeding the power rating of the devices? (2 pts)

7) If the two resistors in 6) are reconfigured in series, what is the maximum voltage that can be applied across the 2 series resistors without exceeding the power rating of the devices? (2 pts)

8) What would be the color code of the equivalent resistance in 7) (assuming nominal 10% tolerance resistors)? (2 pts)