

Homework 1

Due 23 January 2008 at 6:00 pm

1. Waves and Phasor Notation

Be sure that you read the following questions carefully. Also, when you convert an expression from phasor to time domain form or vice versa, convert it back, carefully following the rules, to check your answer.

- Write the following voltage phasor expression in time domain form $\tilde{V} = 20e^{+ \frac{j5\pi}{4}}$. Note that this is just a voltage, not a voltage wave. Assume $f = 20\text{MHz}$.
- Write the following time domain current wave expression in phasor form $i(z,t) = I_o \sin\left(\omega t - \frac{\omega z}{a} + \frac{\pi}{3}\right)$.
- Is the expression in part b a standing or traveling wave? If it is a traveling wave, what direction does it travel and what is its velocity?

2. Plane Wave Representations

The numbers given in this problem are realistic but not necessarily real. That is, your answers should come out in a reasonable range, but the numbers are not based on a real, commercially available transmission line.

The current on a transmission line is given by $i(z,t) = \cos(2\pi 10^6 t + 0.02\pi z)$.

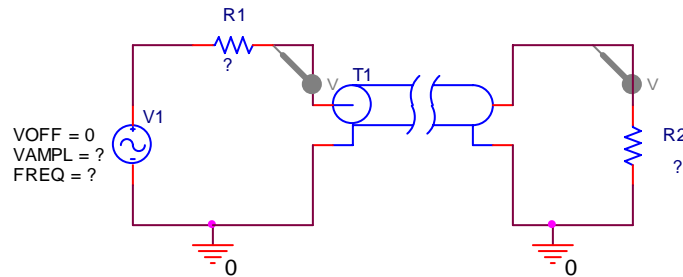
- Is this a standing wave or a traveling wave? If it is a traveling wave, what direction does it travel and what is its velocity?
- What is the period of this wave T ? What is the wavelength λ ?
- Plot this expression as a function of space at $t=0$, $t=T/3$, $t=2T/3$ using Maple or Matlab or some similar program.
- Write this current expression in phasor form.
- Assume that the transmission line has a capacitance per unit length of $50 \frac{\text{pF}}{\text{m}}$. Find the characteristic impedance of the line Z_o and then the voltage on the line in phasor form.

3. PSpice Simulated Experiments

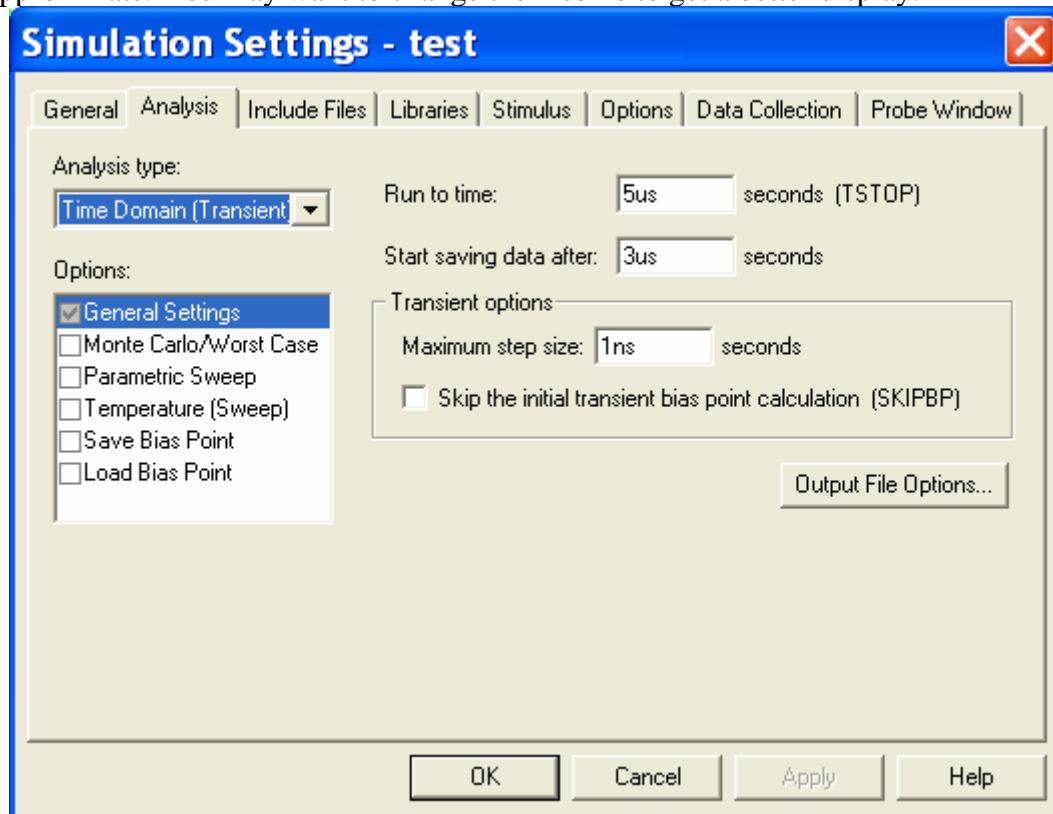
PSpice can show us a lot about how the voltages look at the input and output ends of transmission lines. The simulation can, in effect, replace an experiment by giving us essentially the same results.

- To get some practice using PSpice, set up the following simulation using the parameters of your transmission line from problem 2. That is the source, line and load impedances should all be equal to the characteristic impedance of the line you determined in problem 2. The source voltage and frequency should be selected to obtain the current given in problem 2 on the line. Set the offset voltage to zero. Use the lossless line model and assume the length of the line is 40meters. Be careful to use the zero ground, since it is the only one that works with PSpice.

Homework 1



Run the simulation shown below and display your results. The numbers given are approximate. You may want to change them some to get a better display.



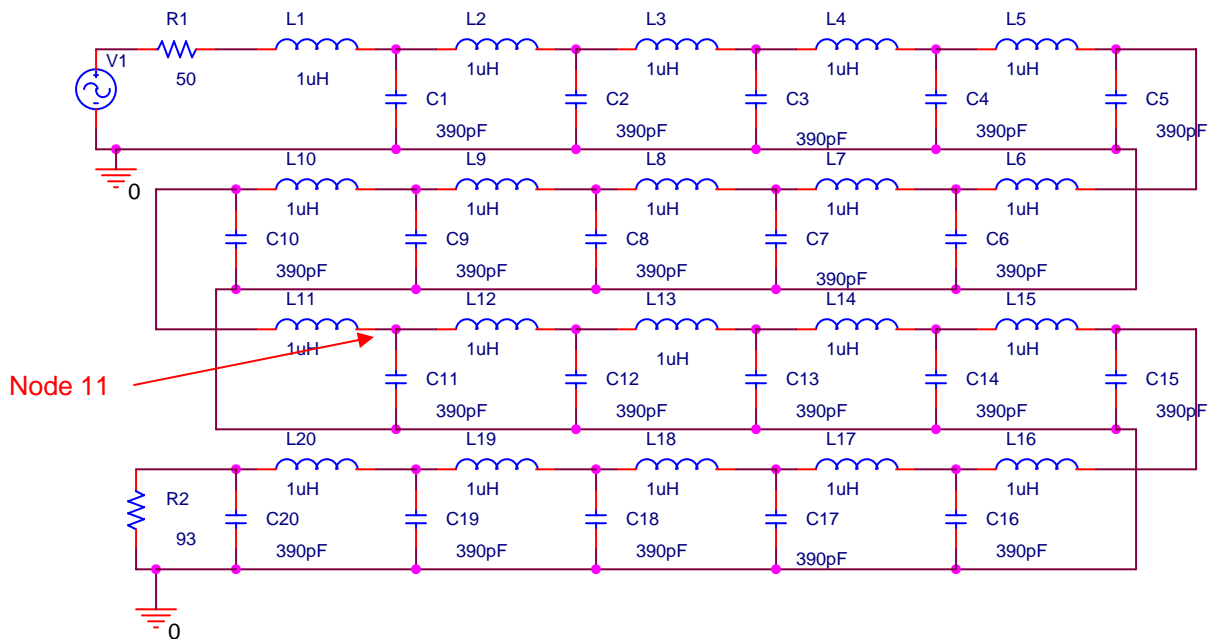
b. Explain why your result makes sense. Be sure to thoroughly label your plot.

Homework 1

4. Lumped Transmission Lines

A transmission line can be replaced by a series of lumped circuit elements, under certain conditions. In this exercise, you will compare the response of such a lumped model line with the coil of coax. Obtain a coil of coax, a 50 Ohm terminator and one of the lumped component transmission lines from a TA. Note: we will be analyzing the lumped configuration using PSpice in lecture. Thus, your measurements should be guided by what we obtain there.

- First, we will repeat an experiment from the first studio session at a different frequency. Put the 50 Ohm terminator across the output of the coaxial cable and simultaneously measure input and output signals on the oscilloscope. Set the input voltage at $1V_{P-P}$ with a frequency of $3MHz$. Measure the time delay between the signals. What else is different about the input and output voltages?
- Replace the coaxial cable with the lumped version and repeat the experiment.
- You should have observed that the lumped line behaves in a qualitatively similar manner to the spool of coax. Thus, it must represent a similar length of line. We want to determine the actual length of line. Each $L-C$ combination represents some equivalent length of line. Since there are 20 such combinations, we only need to figure out what length each combo represents and multiply it by 20. To understand better how the lumped circuit is configured, look at the diagram below, done with PSpice. (This diagram has a load impedance $R2$ of 93 Ohms, which is not what we are using here.) Note that the inductance and capacitance for each section is indicated. Given your knowledge of the actual capacitance and inductance per unit length for the RG58/U coaxial cable, approximately what length does each section represent?



Homework 1

- d. Remove the load resistor and replace it with a short circuit. Measure the voltage at the 11th node. Adjust the frequency somewhere between 2MHz and 4MHz until the voltage at the 11th node is a minimum. It should be somewhere around 100mV . Put the terminating resistor back on as a load. Measure the voltage at each of the nodes for the case where the lumped line is terminated with 50 Ohms . Remove the resistor and repeat for the short circuit. Where are the minimas and maximas located? (One minimum should be at node 11.) Plot your results for the measured voltages as a function of distance (using the distance between nodes that you determined above). Plot your results again but now in terms of wavelength rather than meters. (You can use the same plot, if you wish, and provide two sets of labels.)
- e. Show that the maximas and minimas are located where they should be in terms of wavelength.
- f. Run the corresponding case using the simulation at BesserNet, mentioned in lecture.

Note that the lumped lines work slightly differently if different capacitors are used. Thus, please note the color of the capacitors on the board you are using. The correct answer to part d will depend on what capacitors are used on your board.