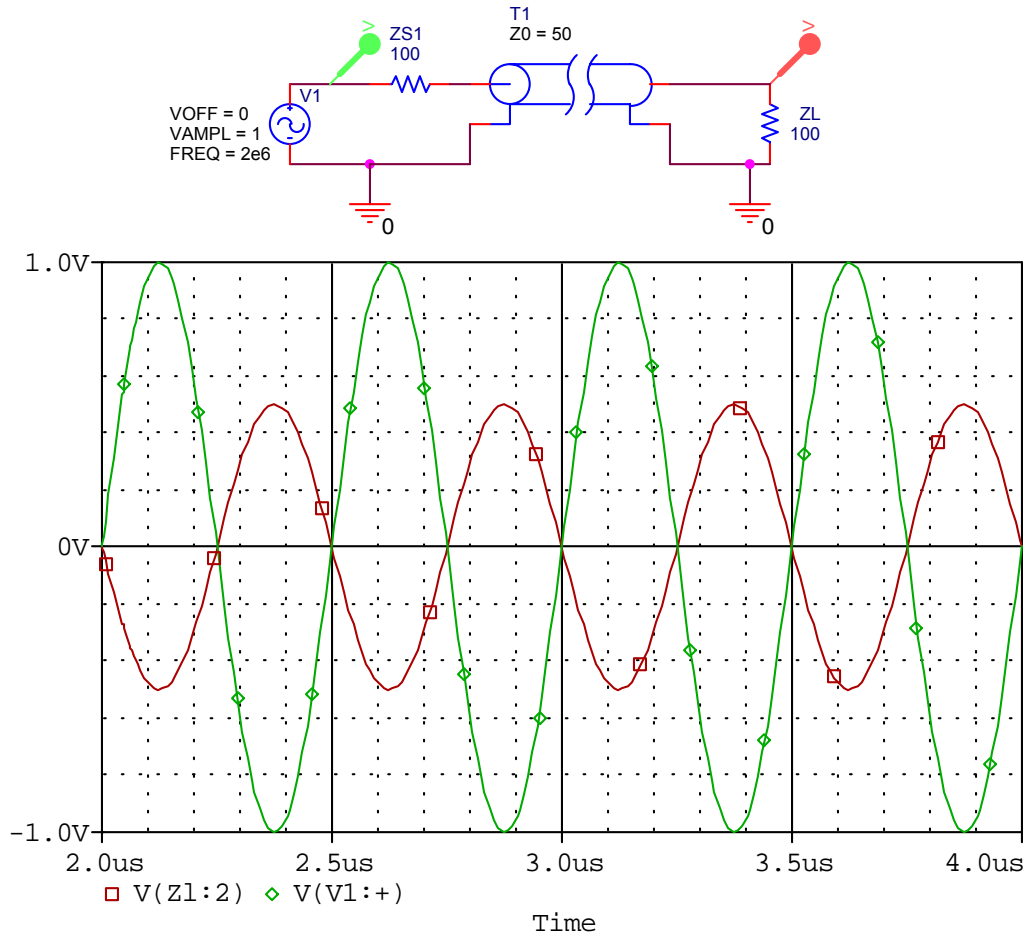


Miniquiz 1
 Wednesday 5, February, 2003



For the above transmission line circuit, the velocity of propagation is $2.0E8$ [m/s] and the source frequency is $2E6$ [Hz]. Note, the time scale starts at $2E-6$ [s]. This is to avoid some PSpice features and is not relevant to the problem. Also, the measurements were taken at the source and load, not at the input to the transmission line like the experiments in class.

Determine the input impedance, Z_{in} . Your arrival at the answer needs to be complete. A lucky guess will not count as a solution.