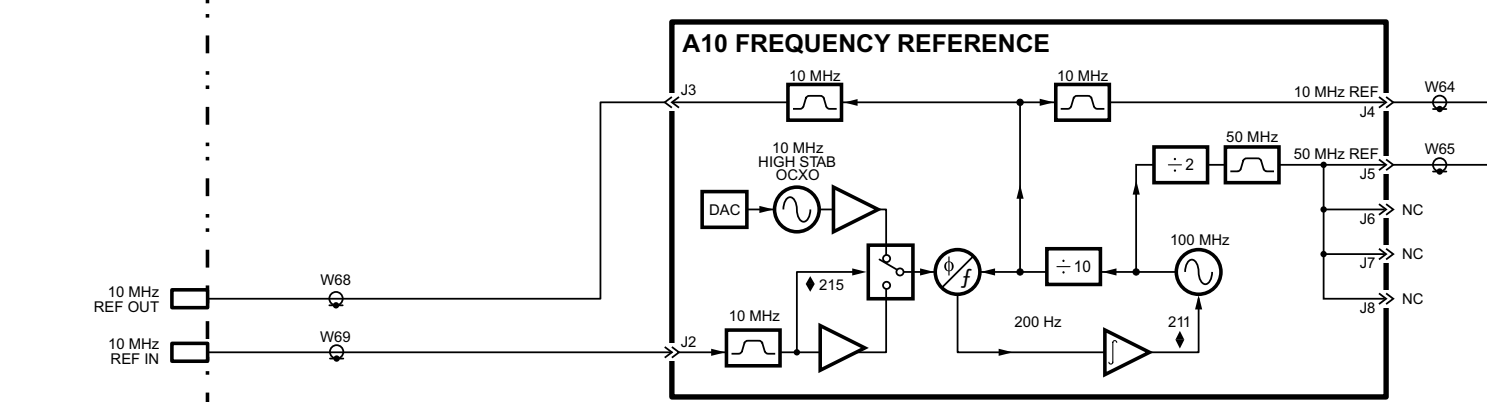
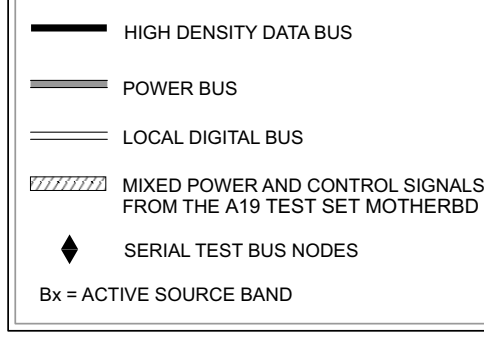
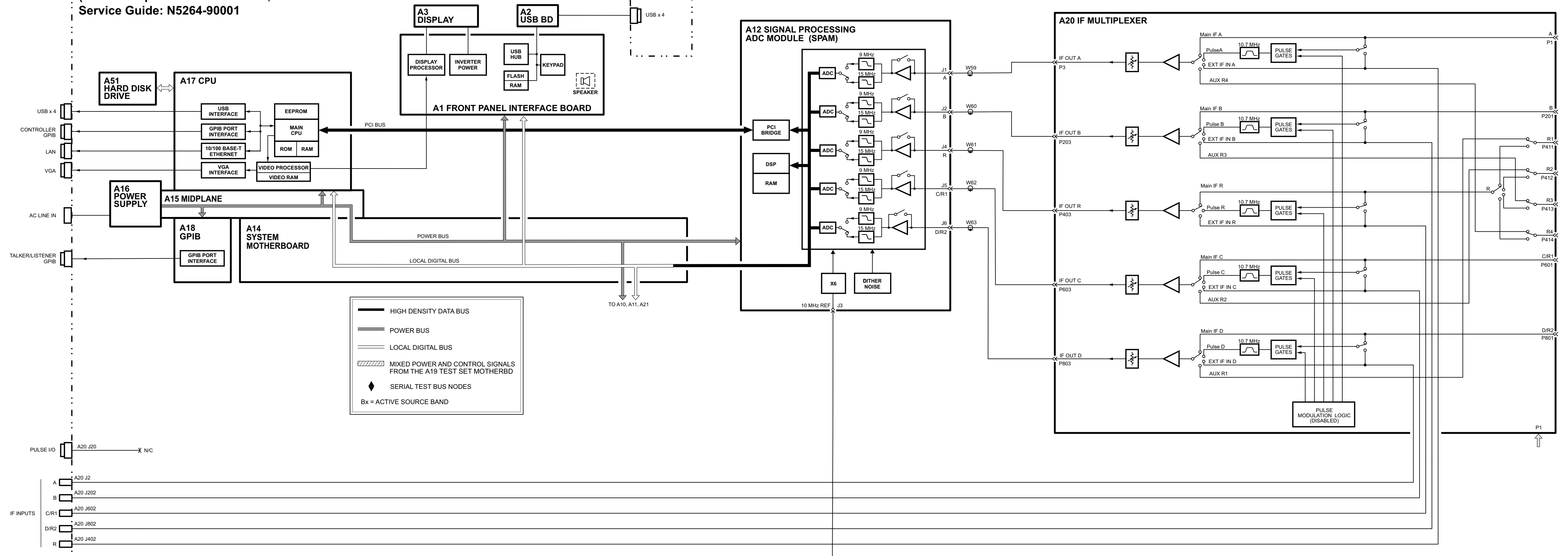
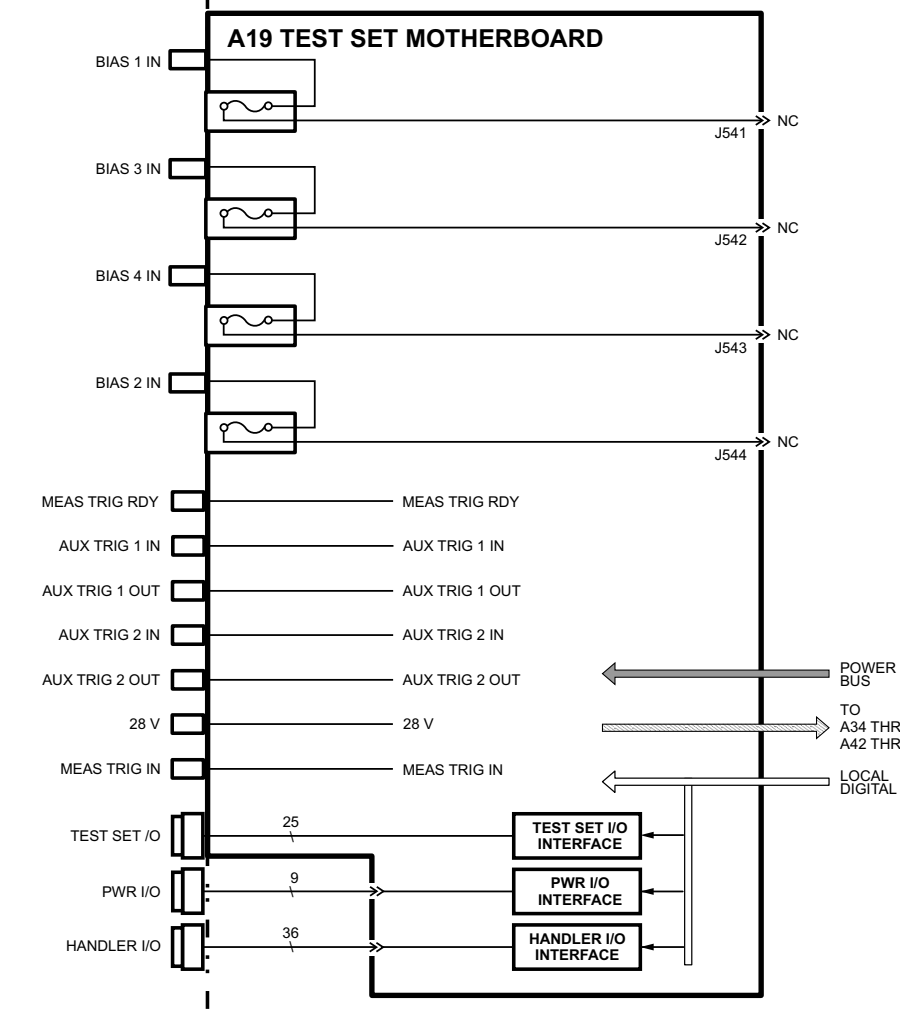
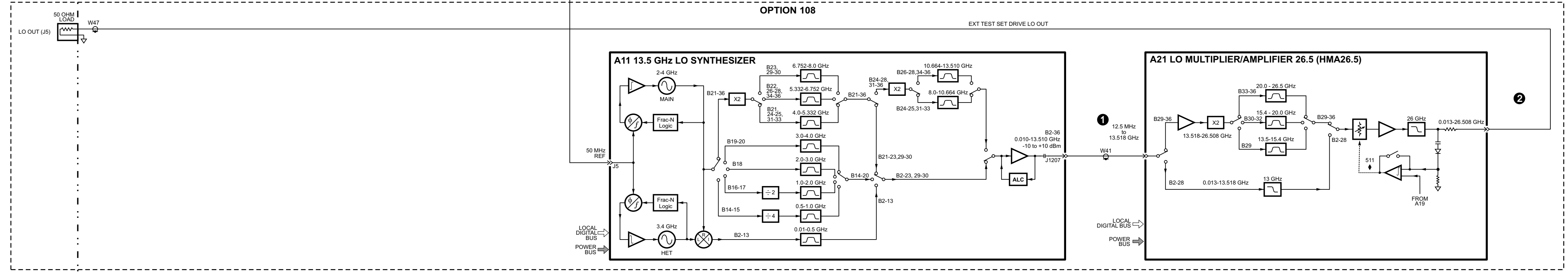


REAR PANEL INTERCONNECTS

N5264A Overall Block Diagram
(Includes Options 700 - Standard; 108 - LO Source
Service Guide: N5264-90001



OPTION 108



Band	Mixer Brick L.O. Harmonic Number (N)	1 A11 Synthesizer Frequency (GHz)	2 A21 HMA26.5 Frequency (GHz)
0	-	-	-
1	-	-	-
2	1	0.01761 to 0.50761	0.01761 to 0.50761
3	1	0.50761 to 1.00761	0.50761 to 1.00761
4	1	1.00761 to 2.00761	1.00761 to 2.00761
5	1	2.00761 to 3.00761	2.00761 to 3.00761
6	1	3.00761 to 4.00761	3.00761 to 4.00761
7	1	4.00761 to 5.33961	4.00761 to 5.33961
8	1	5.33961 to 6.75961	5.33961 to 6.75961
9	1	6.75961 to 8.00761	6.75961 to 8.00761
10	1	8.00761 to 10.67161	8.00761 to 10.67161
11	1	10.67161 to 13.51761	10.67161 to 13.51761
12	1	6.758803 to 7.703803	13.51761 to 15.40761
13	1	7.703803 to 8.003803	15.40761 to 16.00761
14	1	8.003803 to 10.00381	16.00761 to 20.00761
15	1	10.00381 to 10.66781	20.00761 to 21.33561
16	1	10.66781 to 13.25381	21.33561 to 26.50761