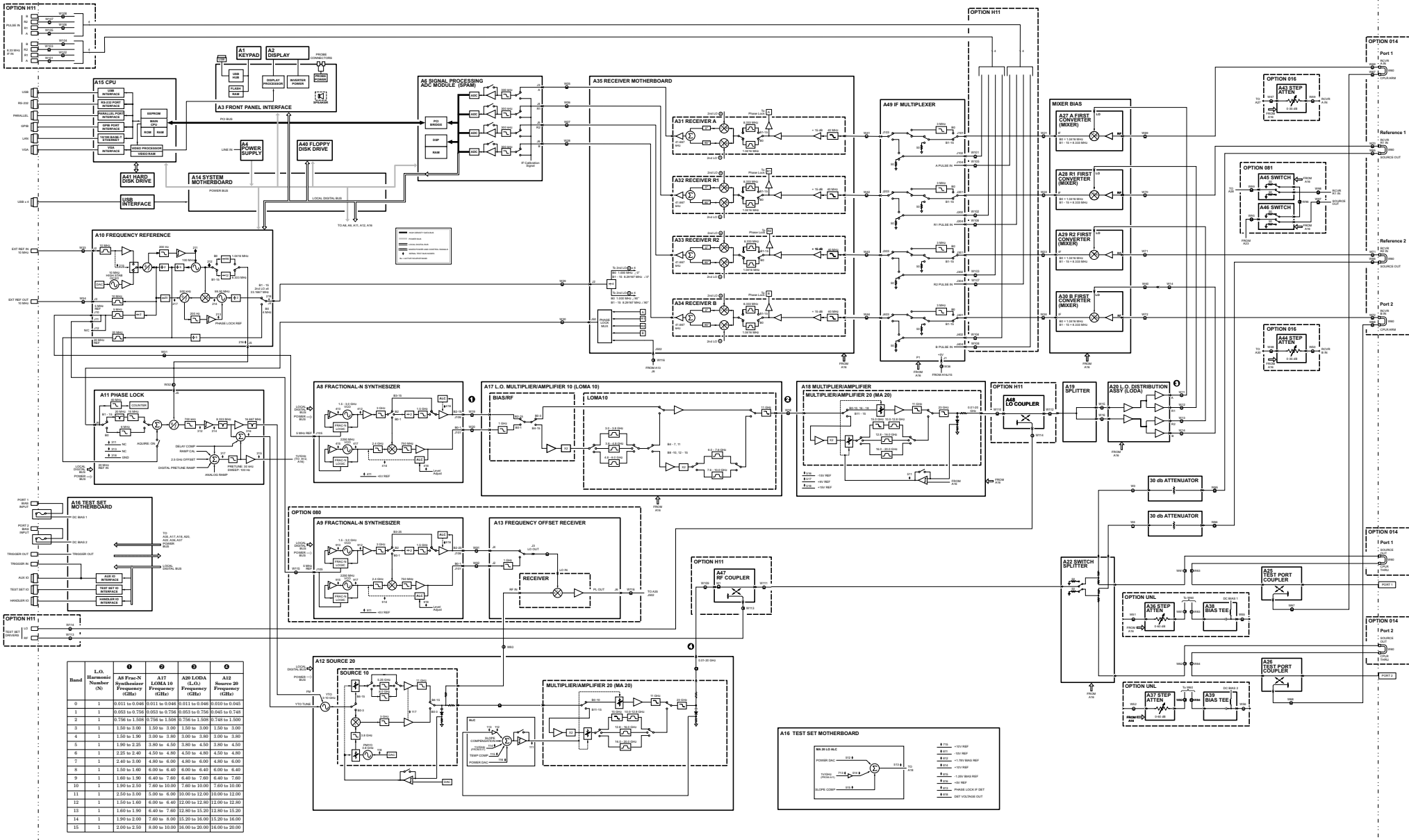


E8362B Overall Block Diagram
 (Includes Option UNL, 014, 016, 080, 081, and H11)
 Service Guide: E8364-00026



Band	L.O. Harmonic Number (N)	AS Frac-N Synthesizer Frequency (GHz)	A17 LOMA 10 Frequency (GHz)	A18 LODA Frequency (GHz)	A12 Source 20 Frequency (GHz)
0	1	0.011 to 0.046	0.011 to 0.046	0.011 to 0.046	0.010 to 0.045
1	1	0.063 to 0.754	0.063 to 0.754	0.063 to 0.754	0.045 to 0.743
2	1	1.766 to 3.300	1.766 to 3.300	1.766 to 3.300	1.540 to 3.080
3	1	1.50 to 3.00	1.50 to 3.00	1.50 to 3.00	1.50 to 3.00
4	1	1.50 to 1.50	3.00 to 3.00	3.00 to 3.00	3.00 to 3.00
5	1	1.90 to 2.25	3.80 to 4.50	3.80 to 4.50	3.80 to 4.50
6	1	2.25 to 2.40	4.50 to 4.80	4.50 to 4.80	4.50 to 4.80
7	1	2.40 to 3.00	4.80 to 6.00	4.80 to 6.00	4.80 to 6.00
8	1	1.50 to 1.60	6.00 to 6.40	6.00 to 6.40	6.00 to 6.40
9	1	1.60 to 1.90	6.40 to 7.60	6.40 to 7.60	6.40 to 7.60
10	1	1.90 to 2.40	7.60 to 10.00	7.60 to 10.00	7.60 to 10.00
11	1	2.50 to 3.00	9.00 to 9.00	10.00 to 12.00	10.00 to 12.00
12	1	1.50 to 1.60	6.00 to 6.40	12.00 to 12.80	12.00 to 12.80
13	1	1.60 to 1.90	6.40 to 7.60	12.80 to 15.20	12.80 to 15.20
14	1	1.90 to 2.40	7.60 to 9.00	15.20 to 16.00	15.20 to 16.00
15	1	2.00 to 2.50	9.00 to 10.00	16.00 to 20.00	16.00 to 20.00

