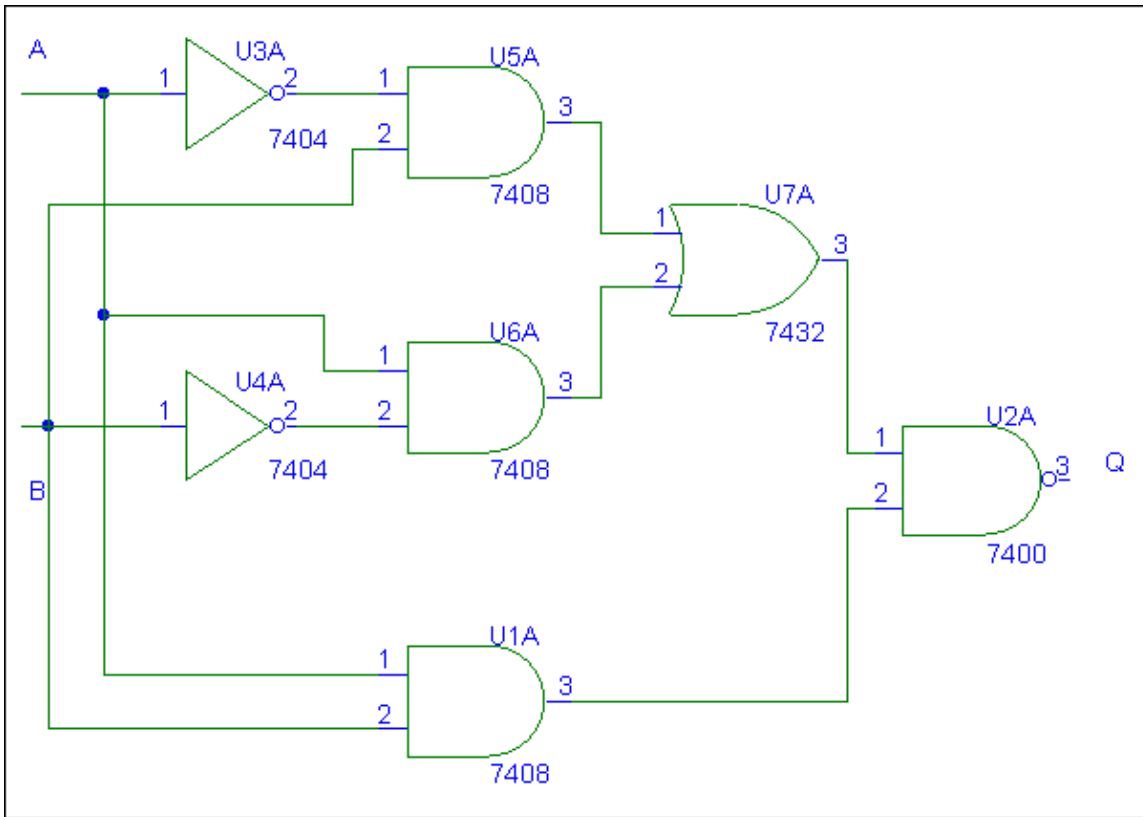


Homework #5. Combinational Logic



Which of the following truth tables is correct for this circuit?

A	B	Q
0	0	1
0	1	1
1	0	1
1	1	1

A	B	Q
0	0	0
0	1	1
1	0	1
1	1	1

A	B	Q
0	0	1
0	1	0
1	0	0
1	1	0