

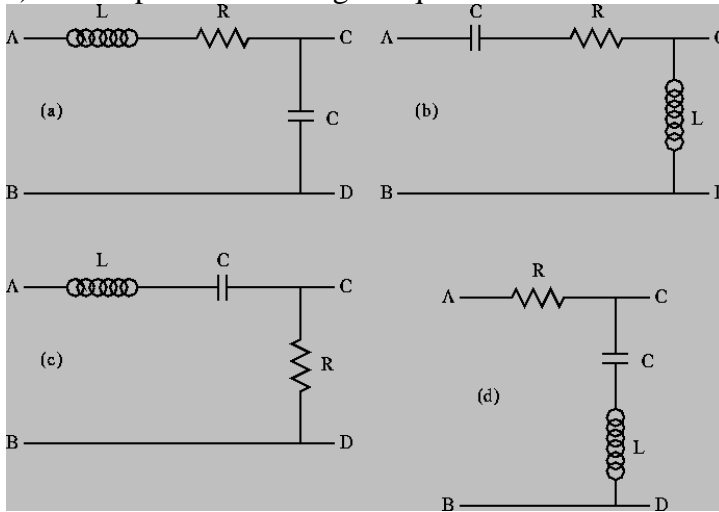
HW #5 Transfer Functions

Name _____

Sect _____

1) For **any two of the four** circuits below find the transfer function for each. Please remember to indicate which circuits you picked. Show all work.

- a) Find the Magnitude H at low frequencies
- b) Find the Magnitude H at high frequencies
- c) Find the Magnitude H at the resonant frequency $\omega = 1/\sqrt{LC}$
- d) Find the phase shift at low frequencies
- e) find the phase shift at high frequencies



2) What is the minimum value of V required so that a current will flow through this circuit?

