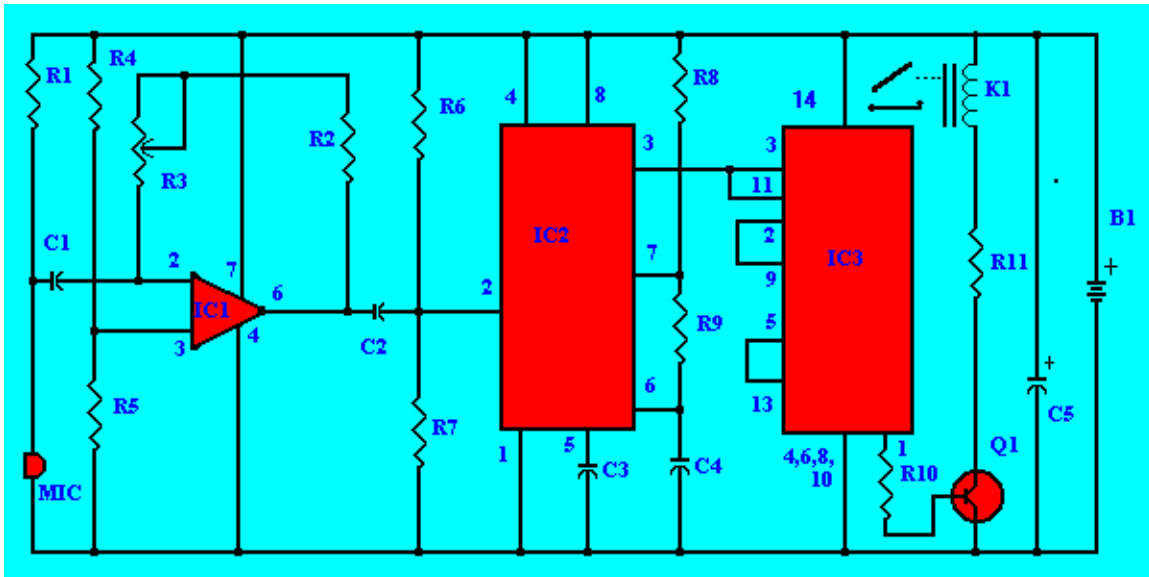


Project 4
The Clapper

Project Report (25 points)

Due 8 December at the End of the Day

(Can be turned in as late as 13 December with only a 2 point penalty.)



Clapper Circuit Diagram

<p>IC1 = 741 OP AMP IC2 = 555 TIMER IC3 = 4013 DUAL D FLIP FLOP Q1 = 2N2222 NPN</p> <p>C1, C2, C3, C4 = .1 UF DISC C5 = 47 UF ELECTROLYTIC</p> <p>R1, R2, R4, R5, R10 = 10,000 OHMS R6 = 150,000 OHMS R7, R9 = 100,000 OHMS R8 = 1 MEGOHM R11 = 220 OHMS R3 = 100,000 OHM TRIMMER POT.</p>	<p>B1 = 9 VOLT BATTERY KI = SPST REED RELAY 5 VOLT DC COIL MIC = ELECTRIC MICROPHONE</p>
---	--

Clapper Components

In this project, each group is to build a *Clapper* circuit similar to the one shown above. This figure is taken from the two websites:

<http://www.ee.byu.edu/~kbsmith/eet315/f1998/reports/r2/>

and <http://home.maine.rr.com/randylinScott/dec97.htm>

Since you will have to build a clapper with the parts we have available, you will have to make some modifications in this circuit. Most of the parts listed above are available in your parts kits. There are also some parts available in the studio; some of which you can keep and some we would like you to return. The parts you can keep include any resistors

Electronics and Instrumentation

Name _____ ENGR-4300 Fall 1999 Section _____

you might need, a 2N2222 transistor (which you should already have from Exp 10) and the CD4013 Dual D-Type Flip Flop or a SN7474 Dual D-Type Flip Flop. You will also be supplied with a microphone and a relay (the one from Exp 10) that we ask you to return. The microphone is a Panasonic WM-54BT and the relay is a Siemens T7NS5D1-05 (formerly Potter and Brumfield). The basic specs for these devices can be found in the Digikey catalog (paper copy in the studio, electronic at <http://www.digikey.com>), with additional information available at <http://www.me-au.com/miccap.html>, http://www.panasonic.com/industrial_oem/electronic_components/pdf/wm52b.pdf <http://www.siemens.com/ec/ecr/>

A prototype of the clapper was built using a 9 volt battery for power and both D-Type Flip Flops. It could be made to work properly with either flip flop. However, the 7474 was a little easier to make work. The 4013 was easier to wire up, since it was included in the original circuit. The components you have available work at two different voltages, so you will likely have to provide both 9 and 5 volts to your circuit. In the prototype, this was done by adding a 5 volt voltage regulator which steps down the 9 volts to 5 volts. Since using two voltages is the easiest way to build the circuit, you should plan to put the 5 volt components on one side of your board and the 9 volt components on the other side. The components in the original circuit all work at 9 volts. The microphone we will use does not want more than 2.5 volts (see spec sheet). The relay circuit (from Exp 10), including the transistor, operates at 5 volts, as does the 7474. Please note that the 741 op-amp is not powered in the usual manner. It is connected to +9 and 0 volts, rather than ± 15 volts.

Finally, note that to work properly, the R (reset) and S (set) pins for both of the D-Type Flip Flops in the 4013 are tied LOW (ground). The input signal from the monostable multivibrator is fed to both CLK (clock) pins. $\overline{Q1}$ (not Q) is connected to D2 and Q2 is connected to D1. Q1 is the output. The 7474 is set up in the same manner, except that there is no R or S pins. Rather, it has pins called \overline{PRE} (not preset) and \overline{CLR} (not clear). If you look at the function (truth) table for this device, you will see that these 4 pins must be tied HIGH. Whichever device you choose to use, be sure that you include a copy of the truth (function) table and show that you have it connected properly.

Introduction (2 pt): Introduce and describe the goals of the project.

What exactly will the clapper do when it is working correctly?

What will it turn on and off?

Design (4 pts): Describe your project design, how it works, how you came up with this particular design. Include a complete schematic that you can use to build the circuit.

Describe the basic design above and the modifications you have made to make it work with the materials at hand. That is, describe the function of each part of the circuit.

Electronics and Instrumentation

Name _____ ENGR-4300 Fall 1999 Section _____

Analysis (4 pts): Discuss why your project should work and support your discussion with calculations, graphs, PSpice simulations, information from device datasheets and common sense reasoning, if necessary.

Analyze each part of the circuit to obtain a quantitative prediction of what input and output signals you should see if it is working in the manner you have described above. Include the truth table for the flip-flop you are using to show how it should work.

Implementation (2 pts) -- Discuss what problems were encountered during the implementation of your project and how you solved them. Include advice you would offer to someone who wished to avoid these problems in the future.

Describe your problems and be as helpful to others as possible.

Testing (4 pts)-- Show that your design functions as expected with experimental data.

Test the function of each part of the circuit by measuring and recording the signals you observe at the input, the output and between each section. Have your experimental data signed by a TA or instructor.

Performance (6 pts) – How well does it work?

Demonstrate to a TA or instructor that your *Clapper* does indeed work.

Clapper Works with 2 Claps for On and 2 Claps for Off _____ (6 pts)

Clapper Turns On and Off with Some Other Sequence of Claps _____ (4 pts)

TA/Instructor _____ **Date** _____

Appendix (2 pts): Include any background materials you used in the preparation of your design.

Personal Responsibilities (1 pt) -- A short paragraph should be written describing what each group member did to develop and implement the final design.

Creativity (0-2 pts) – Any creative approaches to implementation or in the final design will be rewarded with up to 2 additional points.